

IN LINE PTFE FLOW METER



Made entirely of PTFE, PFA, and PCTFE, the *Model F* flow meter is excellent for high-purity applications or use with corrosive liquids.

Units are available with a standard valve to monitor and control flow or without a valve to just monitor flow.

Flow meters are individually tested on a Mass Spectrometer Leak Detector and certified to a leak integrity rating of 1×10^{-7} sccs Helium or better.

design features

- ✓ Chemically inert wetted components.
- ✓ Removable protective shield.
- ✓ Individually leak tested.

SPECIFICATIONS

SCALES	0 to 10 markings.
ACCURACY	±5% of full scale.
MAXIMUM TEMPERATURE	250 °F (121 °C).
MAXIMUM PRESSURE	100 psig (6.7 bars).
LEAK INTEGRITY	Individually, leak tested and certified to a rating of 1×10^{-7} sccs of Helium.

****MATERIALS OF CONSTRUCTION**

TUBE SHIELDS	Polycarbonate.
FLOW TUBES	PFA.
FLOATS	PTFE.
WETTED PARTS	PTFE end fittings. PCTFE guide rods.



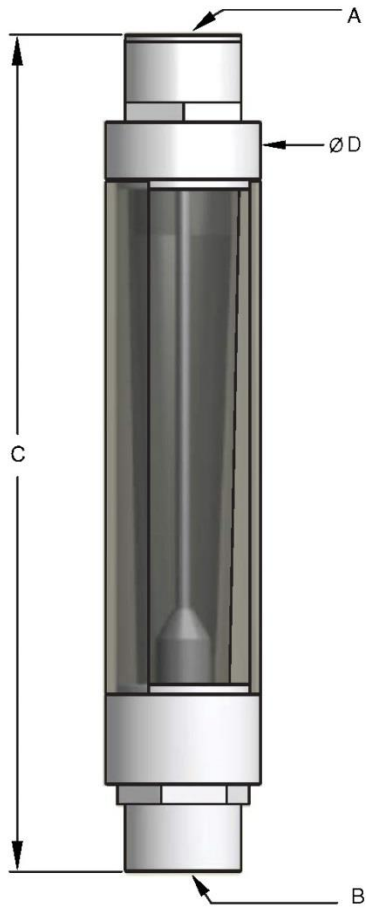
F

F

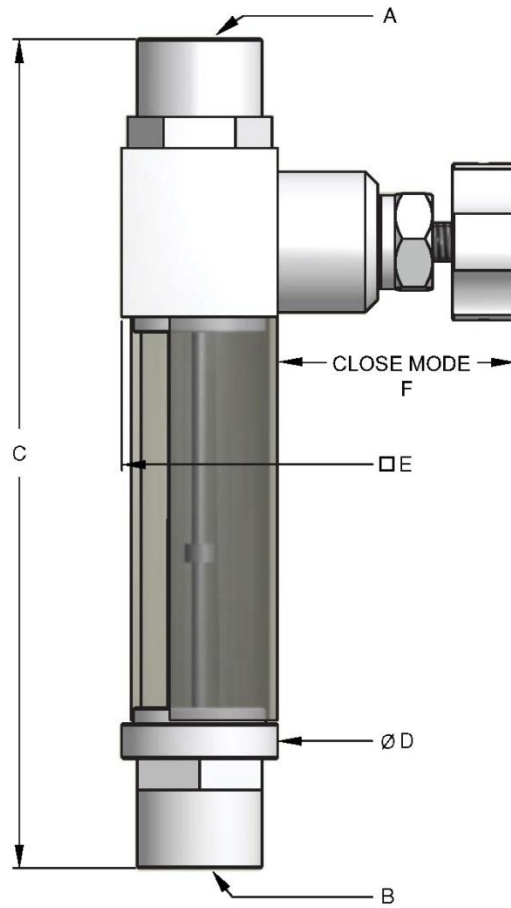
IN LINE PTFE FLOW METER

F STYLE IN LINE PTFE FLOW METER DIMENSIONS NO VALVE OPTION				
	A	B	C	D
F3C	1/4 FNPT	1/4 FNPT	5.52" (140,2 mm)	1.25" (31,8 mm)
F3D	3/8 FNPT	3/8 FNPT	5.52" (140,2 mm)	1.25" (31,8 mm)
F3E	1/2 FNPT	1/2 FNPT	10.81" (274,6 mm)	2.00" (50,8 mm)
F3F	3/4 FNPT	3/4 FNPT	10.81" (274,6 mm)	2.00" (50,8 mm)

F STYLE IN LINE PTFE FLOW METER DIMENSIONS VALVE OPTION						
	A	B	C	D	E	F
F6C	1/4 FNPT	1/4 FNPT	5.52" (140,2 mm)	1.25" (31,8 mm)	1.25" (31,8 mm)	1.88" (47,8 mm)
F6D	3/8 FNPT	3/8 FNPT	5.52" (140,2 mm)	1.25" (31,8 mm)	1.25" (31,8 mm)	1.88" (47,8 mm)
F6E	1/2 FNPT	1/2 FNPT	10.81" (274,6 mm)	2.00" (50,8 mm)	2.00" (50,8 mm)	1.88" (47,8 mm)
F6F	3/4 FNPT	3/4 FNPT	10.81" (274,6 mm)	2.00" (50,8 mm)	2.00" (50,8 mm)	1.88" (47,8 mm)



In Line PTFE Flow Meter
No Valve Option



In Line PTFE Flow Meter
Valve Option

ORDERING INFORMATION IN LINE PTFE FLOW METER

F

F STYLE LOW RANGE METERS

MODEL NUMBER		CONNECTION	MAXIMUM FLOW	
BUILT IN VALVE	NO VALVE		[mL/min] WATER	[gph] WATER
F6C-F01-01-TF	F3C-F01-01-TF	1/4" FNPT	125	1.98
F6C-F02-01-TF	F3C-F02-01-TF	1/4" FNPT	250	3.96
F6C-F03-01-TF	F3C-F03-01-TF	1/4" FNPT	400	6.34
F6C-F04-01-TF	F3C-F04-01-TF	1/4" FNPT	500	7.92
F6C-F05-01-TF	F3C-F05-01-TF	1/4" FNPT	1000	15.85
F6D-F06-01-TF	F3D-F06-01-TF	3/8" FNPT	2000	31.69
F6D-F07-01-TF	F3D-F07-01-TF	3/8" FNPT	2500	39.62
F6D-F08-01-TF	F3D-F08-01-TF	3/8" FNPT	3000	47.54
F6D-F09-01-TF	F3D-F09-01-TF	3/8" FNPT	5000	79.23

F STYLE HIGH RANGE METERS

MODEL NUMBER		CONNECTION	MAXIMUM FLOW	
BUILT IN VALVE	NO VALVE		[L/min] WATER	[gpm] WATER
F6E-F10-01-TF	F3E-F10-01-TF	1/2" FNPT	13	3.43
F6E-F11-01-TF	F3E-F11-01-TF	1/2" FNPT	20	5.28
F6F-F12-01-TF	F3F-F12-01-TF	3/4" FNPT	30	7.93
F6F-F13-01-TF	F3F-F13-01-TF	3/4" FNPT	40	10.57
F6F-F14-01-TF	F3F-F14-01-TF	3/4" FNPT	45	11.89